



Door Locking Range



A range of sash locks provided with faceplates and strikes specific to your door system. Steel Window Fittings' sash/mortice locks operate by using a lock, latch and handle mechanism. These systems are designed for your door to close without locking behind you.

W20 Door Systems ●—————● **Pages 4 - 13**

W40 Door Systems ●—————● **Pages 14 - 17**

W50TB Door Systems ●—————● **Pages 18 - 21**

See our Concealed Multipoint catalogue for further window and door locking options.





Locking systems for W20 Door Profiles

Steel Window Fittings have developed a locking system to fit seamlessly within both single and double doors.

Complete with strike plates and face plates manufactured in satin chrome to blend in with any colour and style of your door.



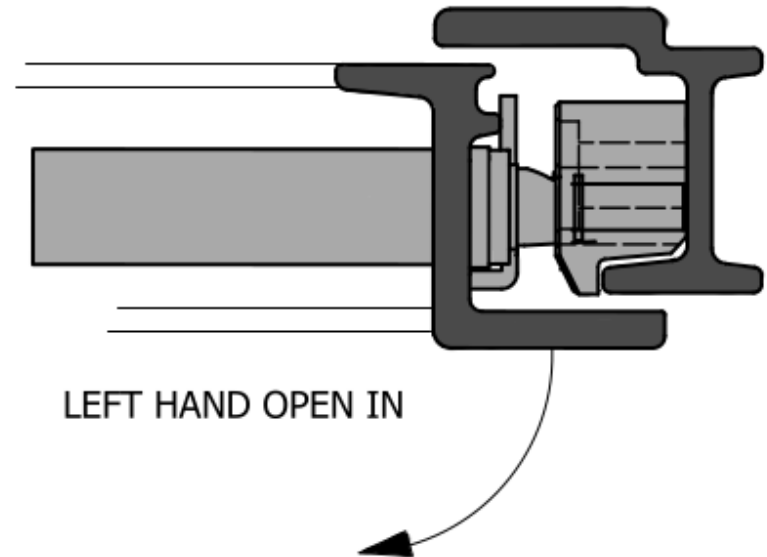
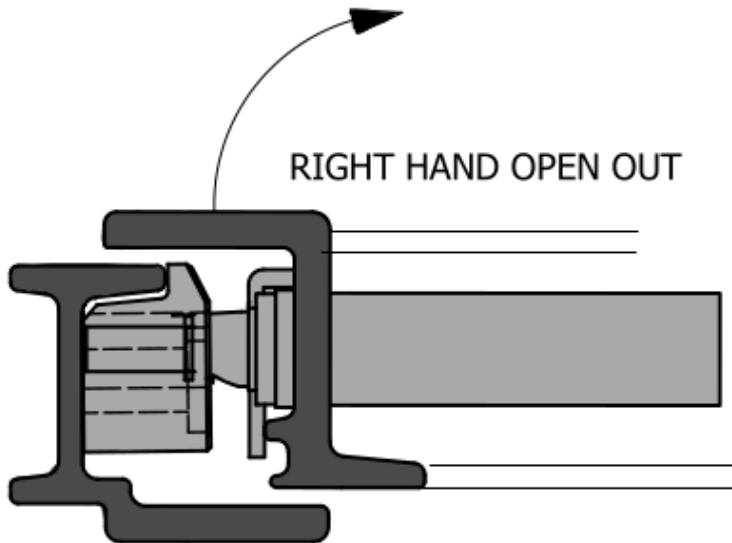


PRODUCT FEATURES & TECHNICAL INFORMATION

- Fully Sprung sash lock with 45mm back set and 92mm cylinder centre
- Supplied with faceplates and strike plates in matching satin chrome finish. Specifically, for the W20 single door profiles/systems as shown below.
- Key variant available.

CLC45W20DSRK - Door Locking System

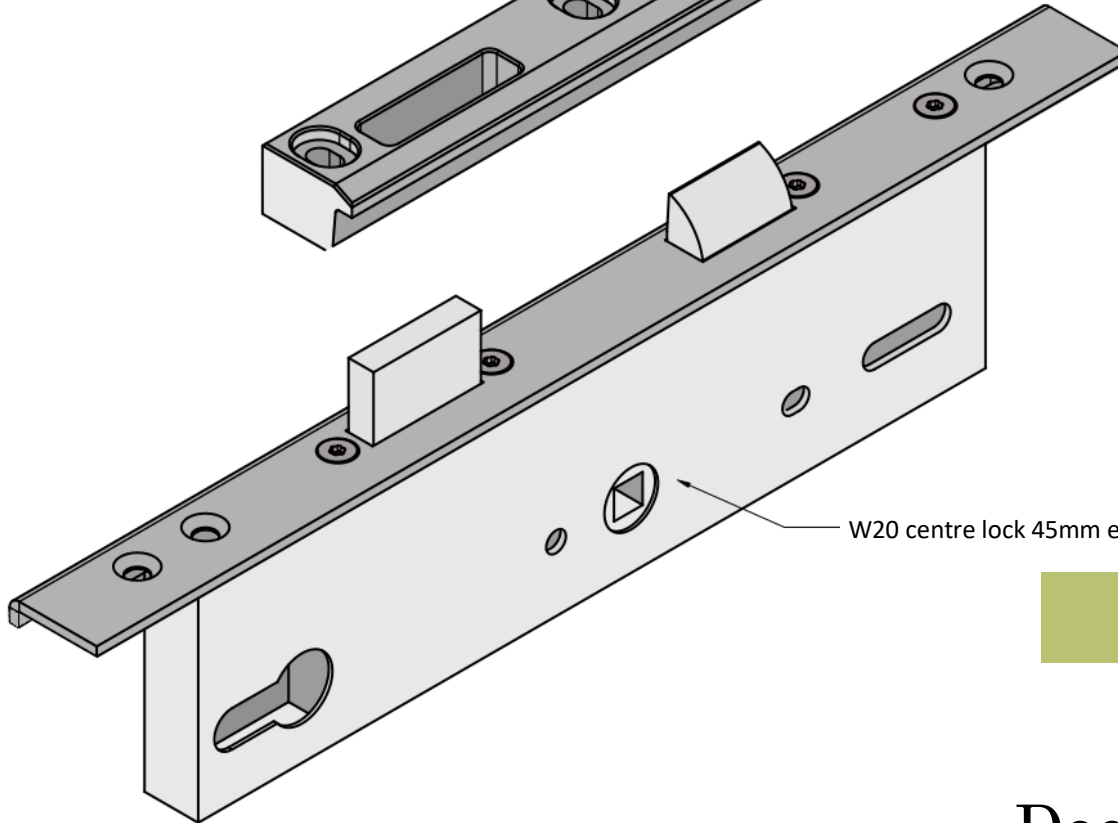
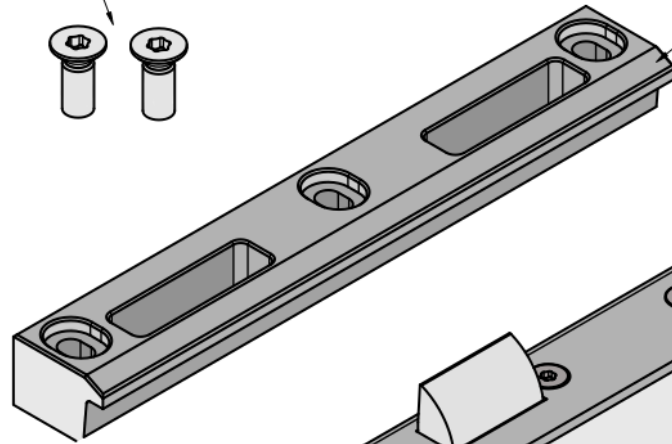
Single Door Right-Hand Configuration



M5 x 14mm TX25
countersunk screw x2



Door lock centre strike



W20 centre lock 45mm euro cylinder RH

[Click here for Prep Detail](#)

CLC45W20DSRK Door Locking System

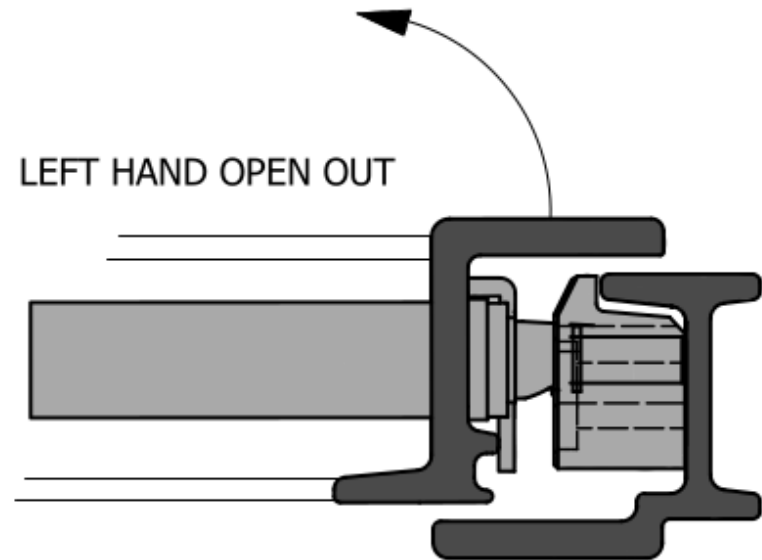
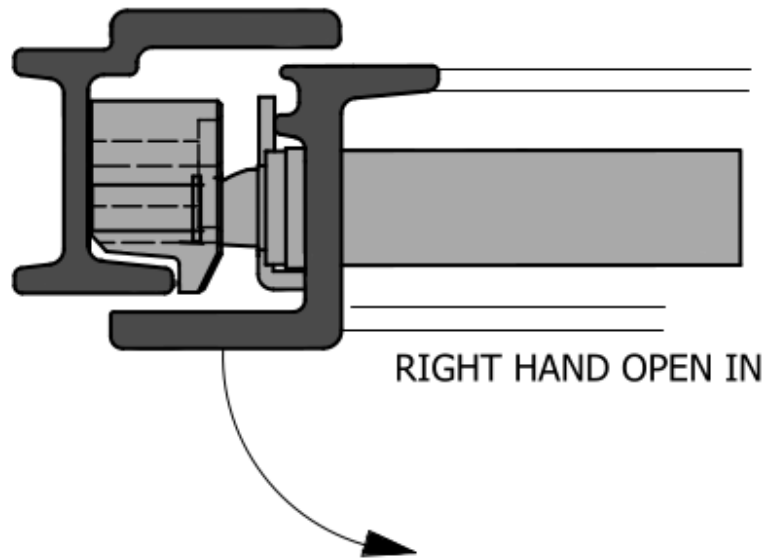


PRODUCT FEATURES & TECHNICAL INFORMATION

- Fully Sprung sash lock with 45mm back set and 92mm cylinder centre
- Supplied with faceplates and strike plates in matching satin chrome finish. Specifically, for the W20 single door profiles/systems as shown below.
- Key variant available.

CLC45W20DSLK - Door Locking System

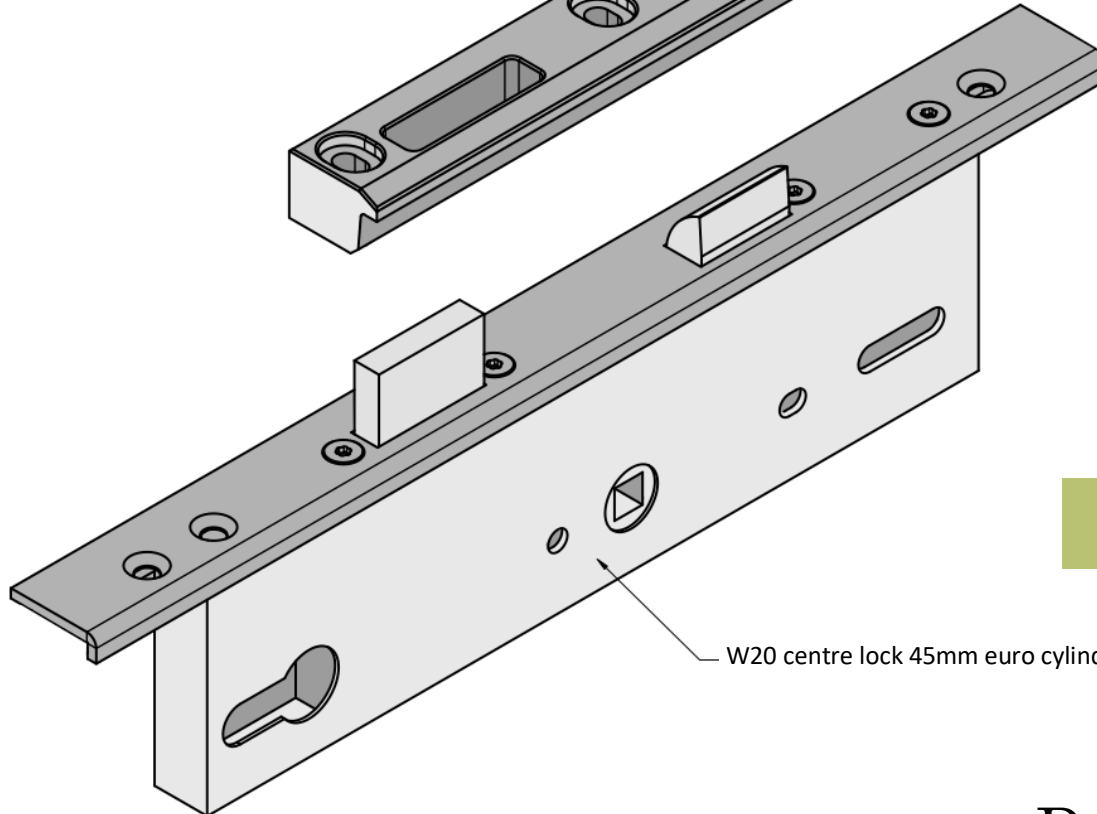
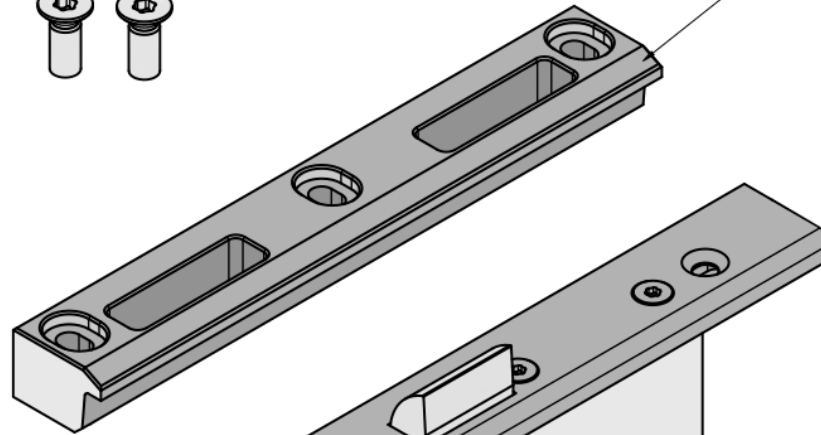
Single Door Left-Hand Configuration



M5 x 14mm TX25
countersunk screw x2



Door lock centre strike



W20 centre lock 45mm euro cylinder LH

[Click here for Prep Detail](#)

CLC45W20DSLK Door Locking System

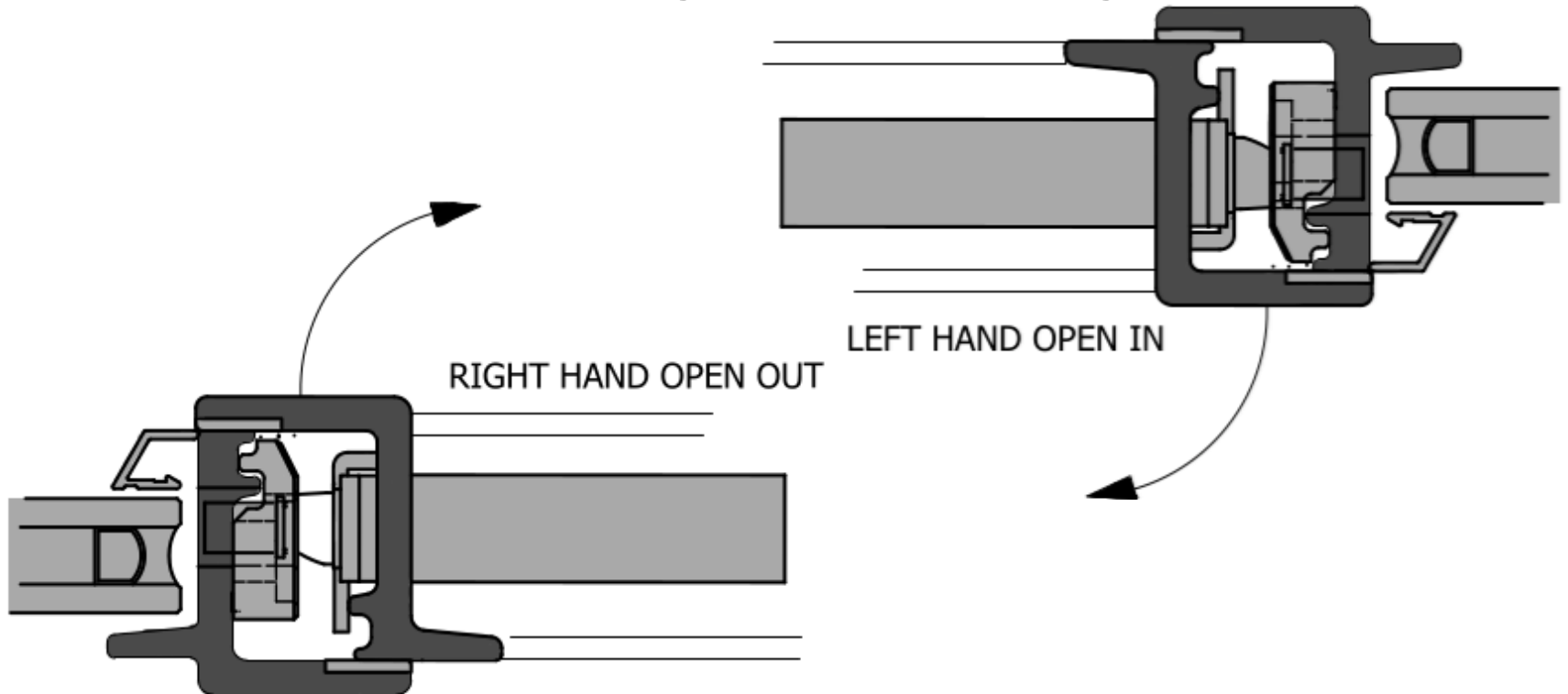


PRODUCT FEATURES & TECHNICAL INFORMATION

- Fully Sprung sash lock with 45mm back set and 92mm cylinder centre
- Supplied with faceplates and strike plates in matching satin chrome finish. Specifically, for the W20 double door profiles/systems as shown below.
- Key variant available.

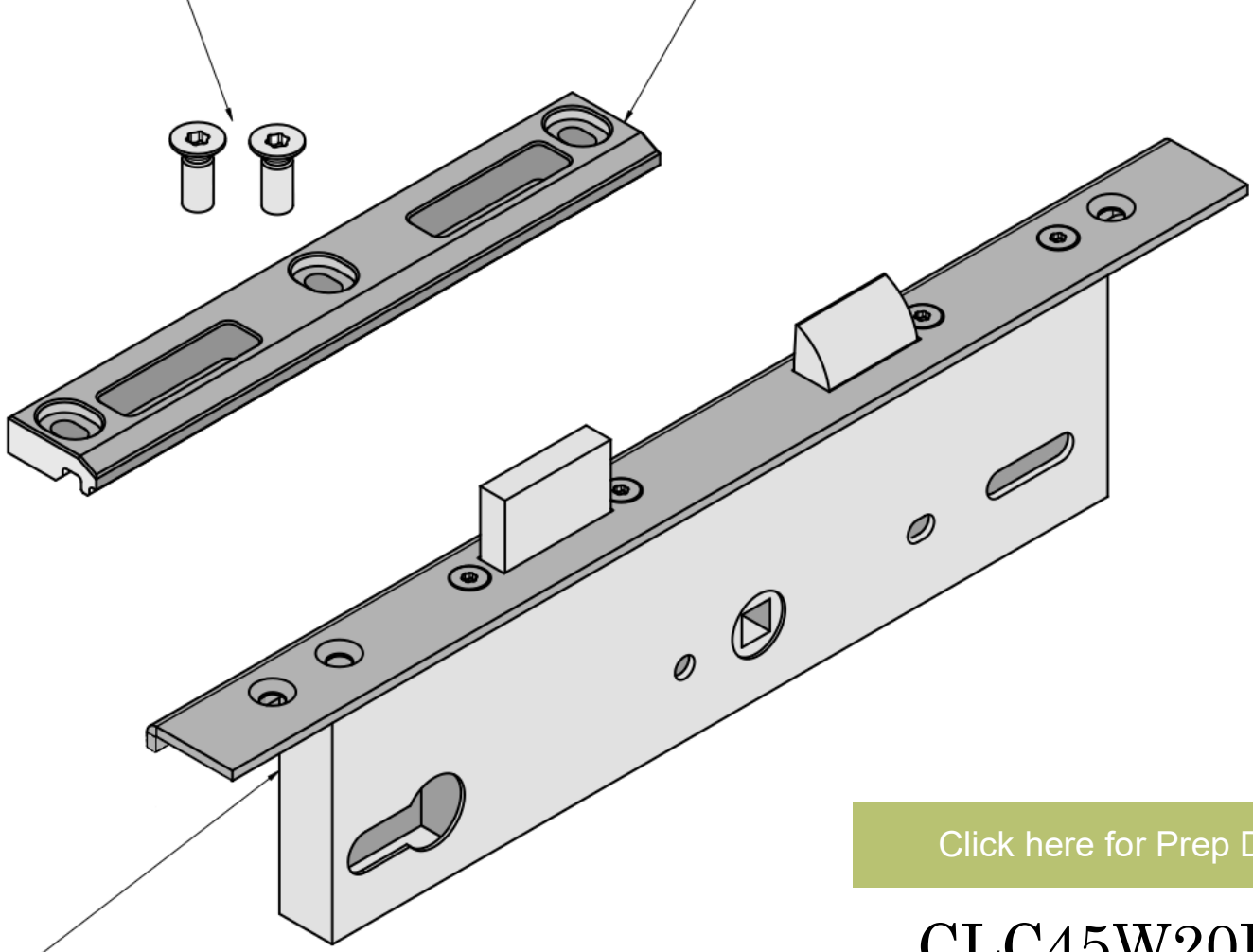
CLC45W20DDRK - Door Locking System

Double Door Right-Hand Configuration



M5 x 14mm TX25 countersunk screw x2

Double door centre strike



W20 centre lock 45mm euro cylinder RH

[Click here for Prep Detail](#)

CLC45W20DDRK Door Locking System

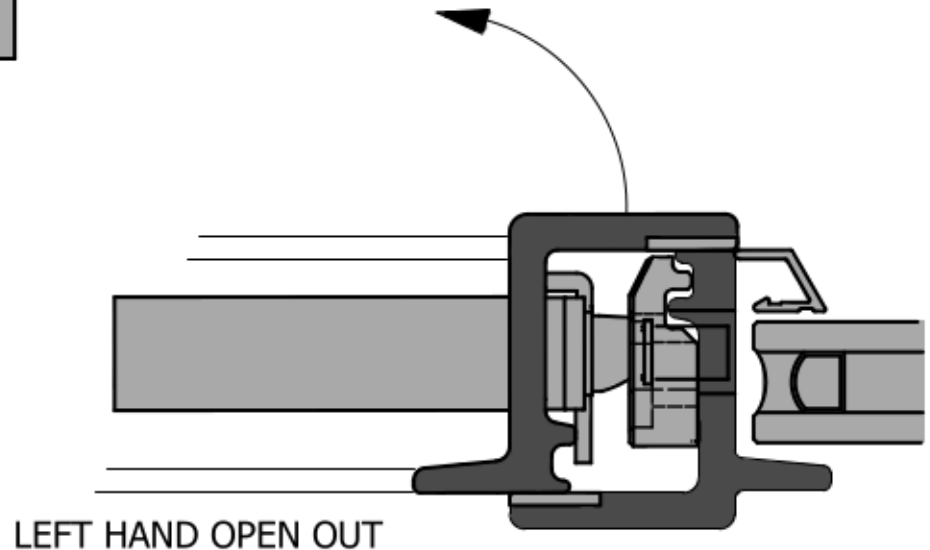
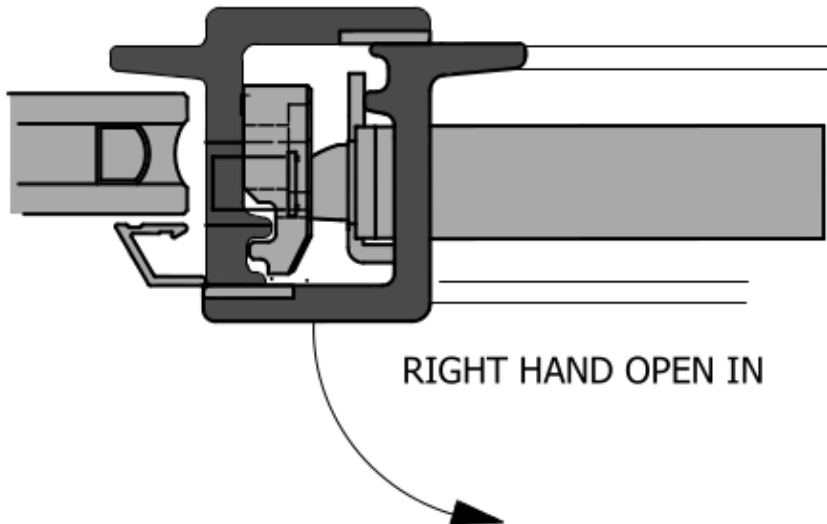


PRODUCT FEATURES & TECHNICAL INFORMATION

- Fully Sprung sash lock with 45mm back set and 92mm cylinder centre
- Supplied with faceplates and strike plates in matching satin chrome finish. Specifically, for the W20 double door profiles/systems as shown below.
- Key variant available.

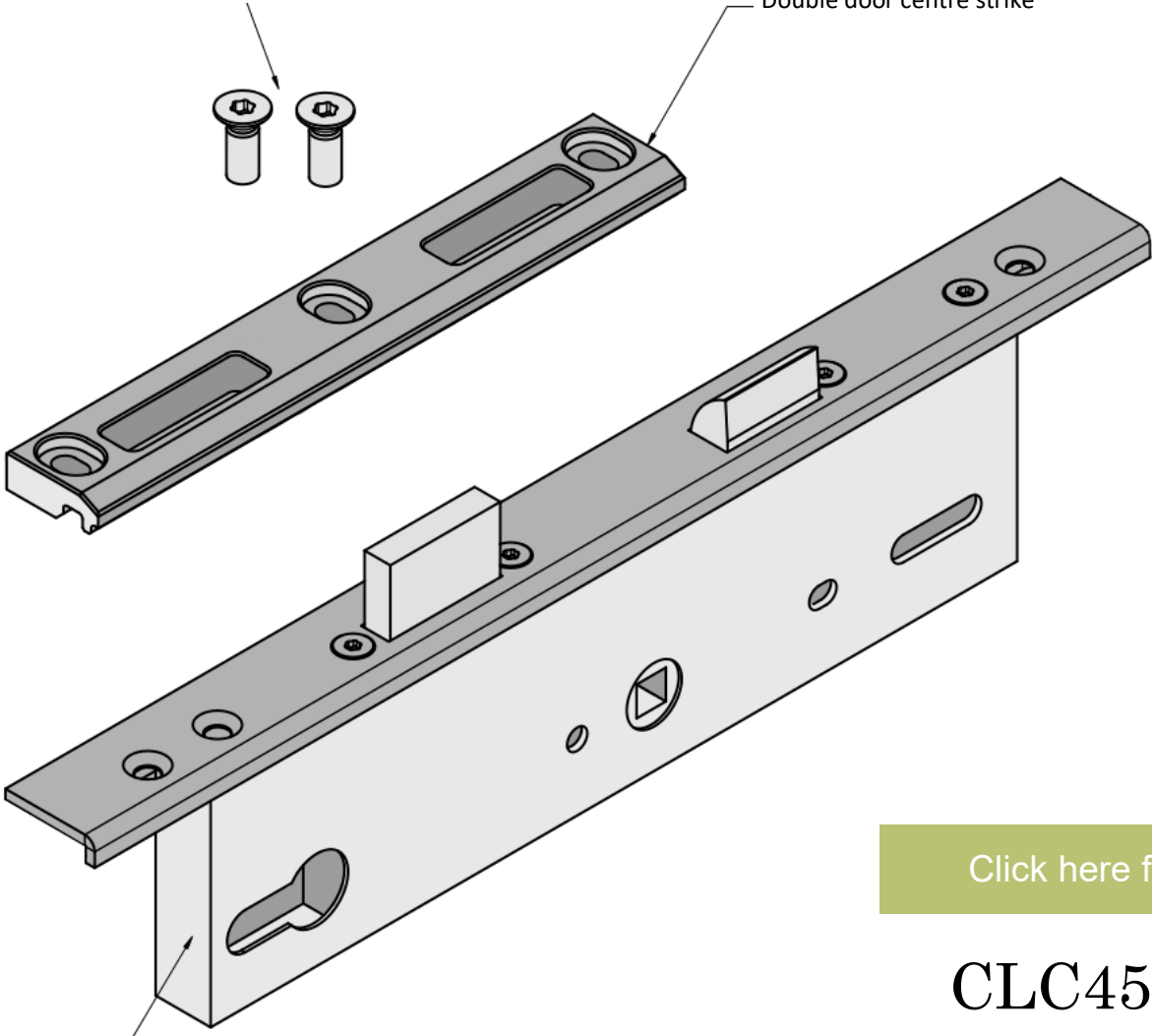
CLC45W20DDLK - Door Locking System

Double Door Left-Hand Configuration



M5 x 14mm TX25 countersunk screw x2

Double door centre strike



W20 centre lock 45mm euro cylinder LH

[Click here for Prep Detail](#)

CLC45W20DDLK Door Locking System



Locking systems for W40 Door Profiles

For W40 profiles, our specially engineered locking systems are created to fit smoothly and unobtrusively.

Supplied with face plates and strike plates as a complete set.





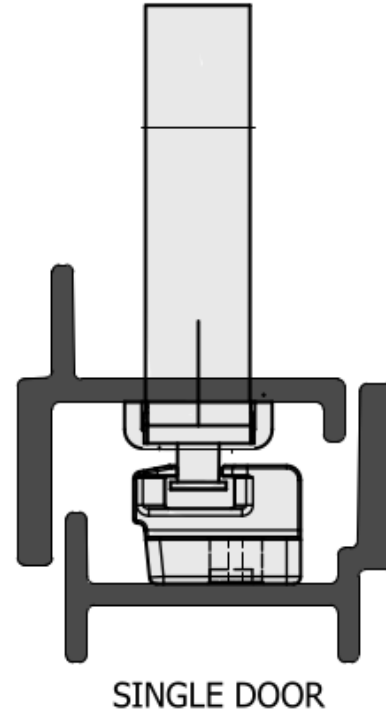
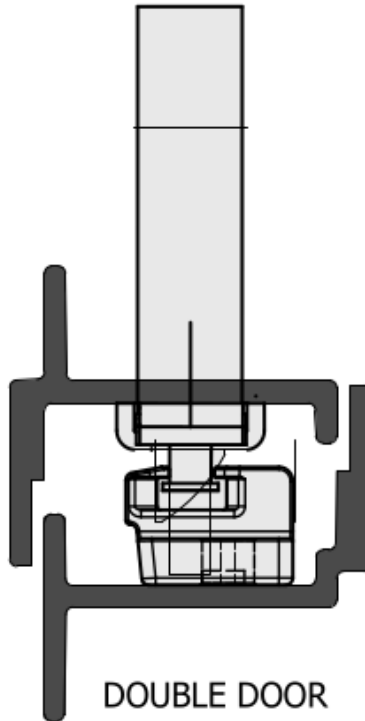
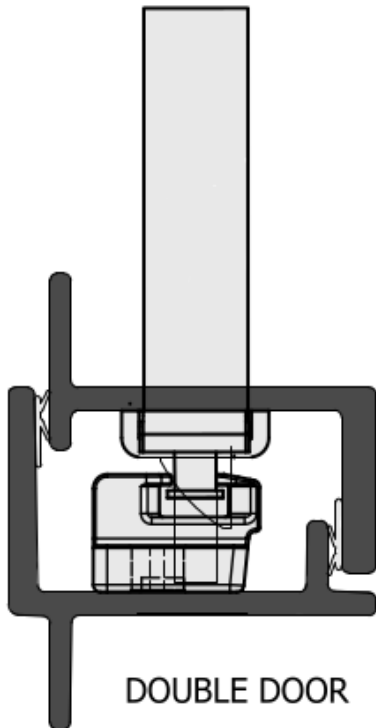


PRODUCT FEATURES & TECHNICAL INFORMATION

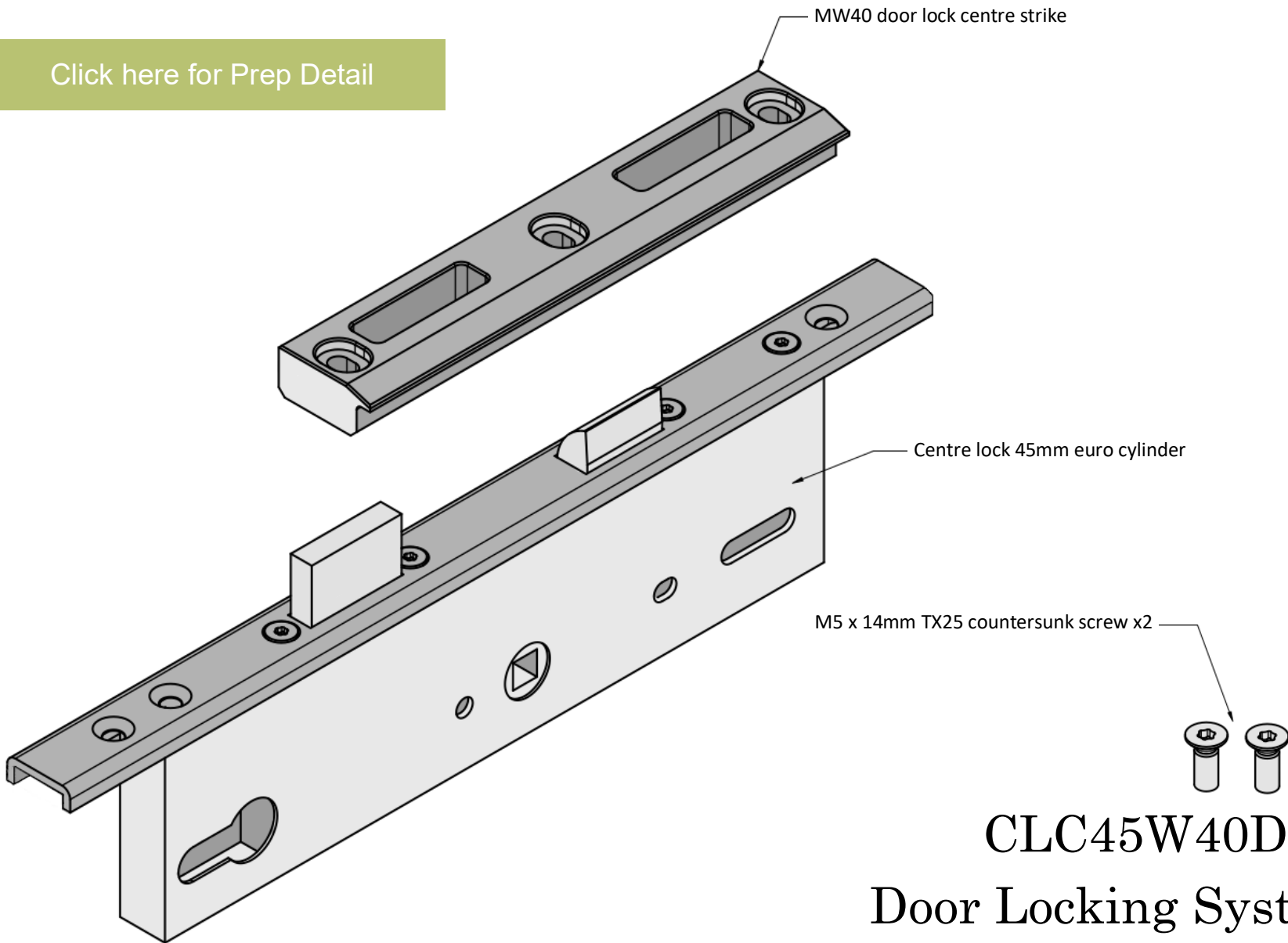
- Fully Sprung sash lock with 45mm back set and 92mm cylinder centre
- Supplied with faceplates and strike plates in matching satin chrome finish. Specifically, for the W40 door profiles/systems as shown below.
- Key variant available.

CLC45W40DRK - Door Locking System

Door Configuration



[Click here for Prep Detail](#)



CLC45W40DRK Door Locking System



Locking systems for W50TB Door Profiles

The W50TB is a thermally broken profile created to give the narrow sightlines synonymous with steel windows and doors. This gives improved heat retention inside the property.

Steel Window Fittings' locking system fits within the profile without interfering with the properties of the W50TB door.



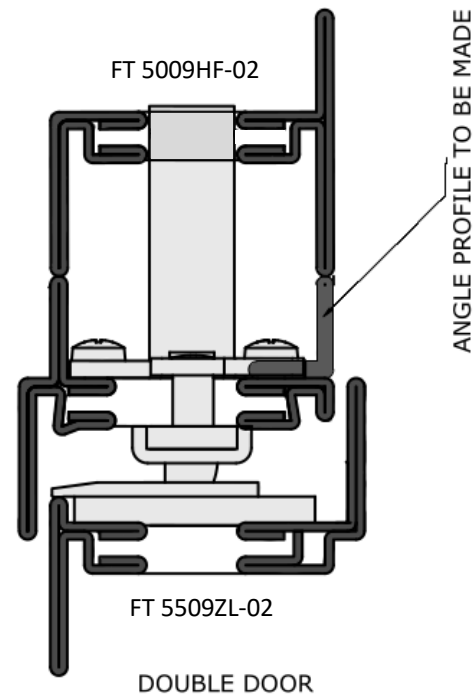
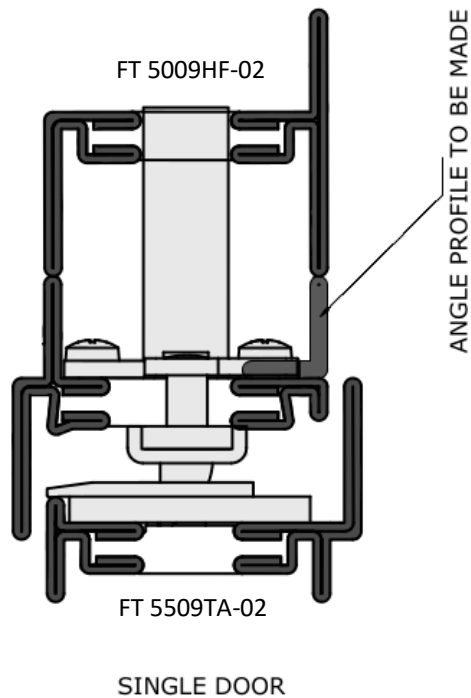


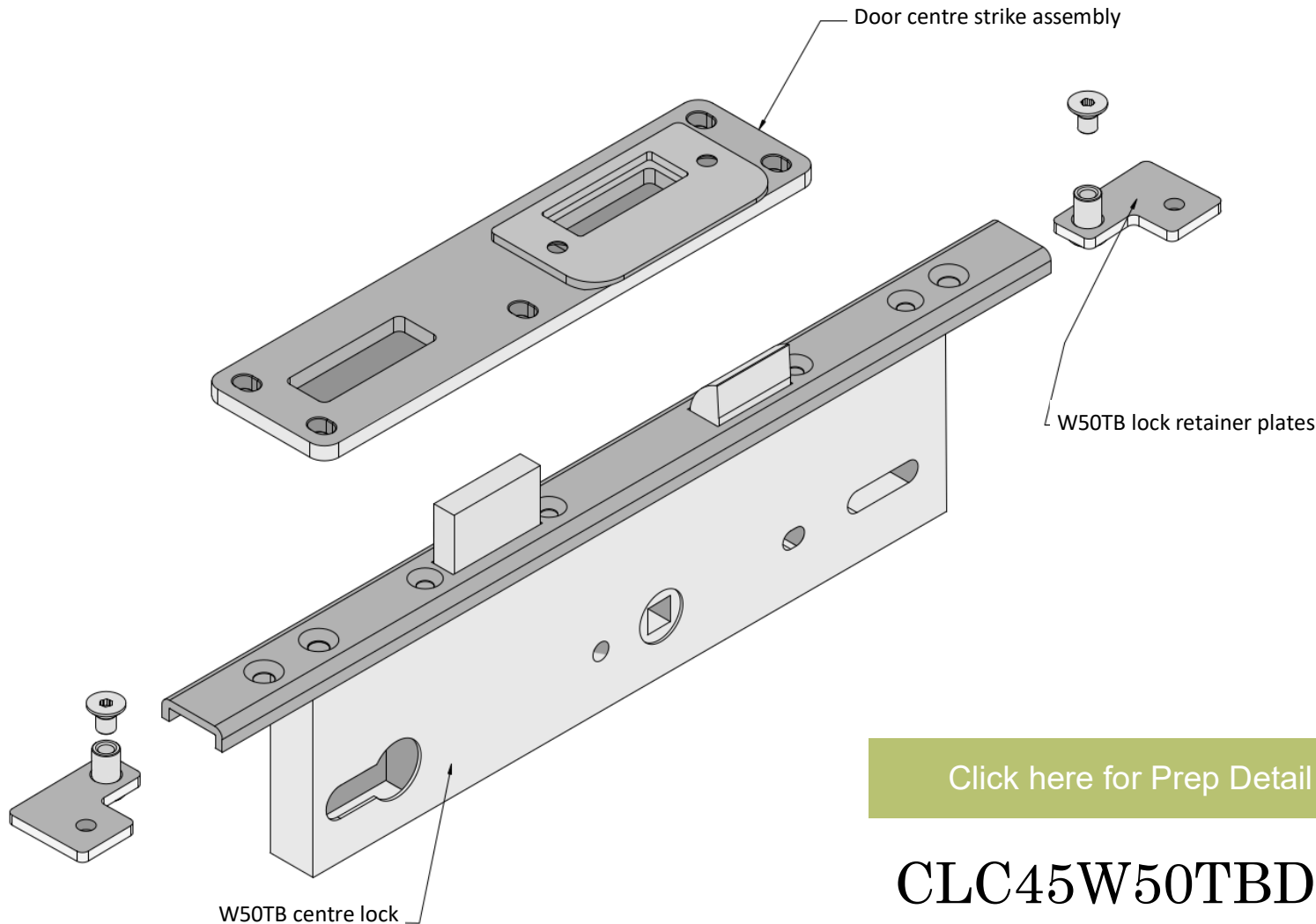
PRODUCT FEATURES & TECHNICAL INFORMATION

- Fully Sprung sash lock with 45mm back set and 92mm cylinder centre
- Supplied with faceplates and strike plates in matching satin chrome finish. Specifically, for the W50TB door profiles/systems as shown below.
- Key variant available.

CLC45W50TBDRK — Door Locking System

Door Configuration





CLC45W50TBDRK Door Locking System

Steel Window Fittings

Steel Window Fittings LTD,
Unit 5, Bridge Business Park,
Horsehay, Shropshire, TF4 3EE

Info@steelwindowfittings.com

+44 (0) 1952 794054

+44 (0) 1952 794154

steelwindowfittings.com

Co. Reg No: 7614370 England

VAT Reg No: GB 114 4647 30



This Catalogue supersedes all previous issues and can be subject to change without any prior notification. With our continuous product development we reserve the right to make modifications to our products which may include but not limited to specification, dimension and configuration changes without prior notice. This Catalogue is designed to provide you with useful information and pictures as guidance to help you choose the right products for your application. Whilst every care is taken to ensure accuracy of information contained at time of publication please note error & omissions expected (E&OE)